

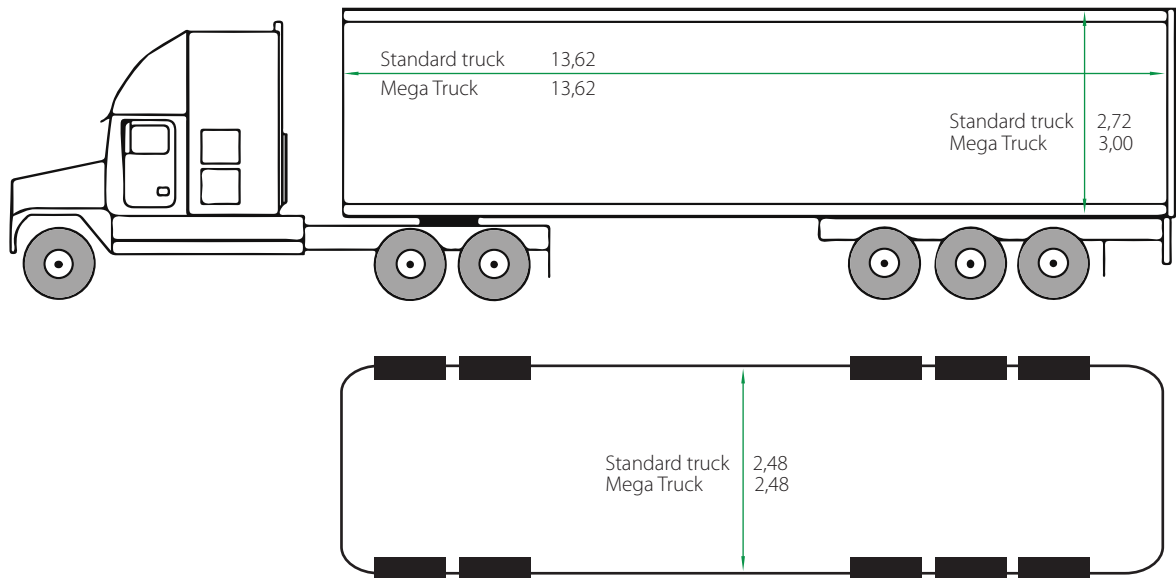


Type of transportation

The maximum standard dimension of a "Cross Timber Systems" panel are 13.8m length by 3.1m width.

"Cross Timber Systems" can transport panels from the factory in Latvia and deliver them straight to the construction site. "Cross Timber Systems" is offering two types of transportation, standard truck. The use of mega truck means that the panels are not susceptible to adverse weather during transportation. Panels arrive on site in the grade of controlled quality in which they left the plant, in Latvia.

Type	Length	Width	Height
Standard truck	13,62	2,48	2,72
Mega truck	13,62	2,48	3,00





Types of lifting

All lifting systems can be installed directly on the panels in the "Cross Timber Systems" factory.

1. Anchor with screws (Rothoblaas)

This lifting system uses a screw thread, often shortened to thread. Threaded screw as lifting point and an anchor that hook up to the screw. The maximum load capacity of such an anchor is 13 kN. The fully threaded screws for this particular lifting system are available in the length from 100 mm to 600 mm.

The maximum allowable lifting load depends on the angle α and the embedment length of the screw.

Lifting can be done **vertically** and **horizontally**.



Vertically



**CROSS TIMBER
SYSTEMS**

SKONTO ENTERPRISES

CLT TRANSPORTATION AND LIFTING

Types of lifting





Types of lifting

All lifting systems can be installed directly on the panels in the “Cross Timber Systems” factory .

2. Lifting with slings

“Cross Timber Systems” are using slings which are made of 100 % Polyester (PES). The most effective length for sling is 1 meter, the width is 50 mm and the thickness is about 3 mm. Also one of the aspects which has to be taken under consideration is angle of the lifting and the way of use it is possible to bear lifting loads up to 2000 kg (figure 2).

This is described on each sling. Sling can be used only once. It is possible to use the same sling 3 – 6 times but when sling gets removed it is forbidden to use sling to another place/panel.

